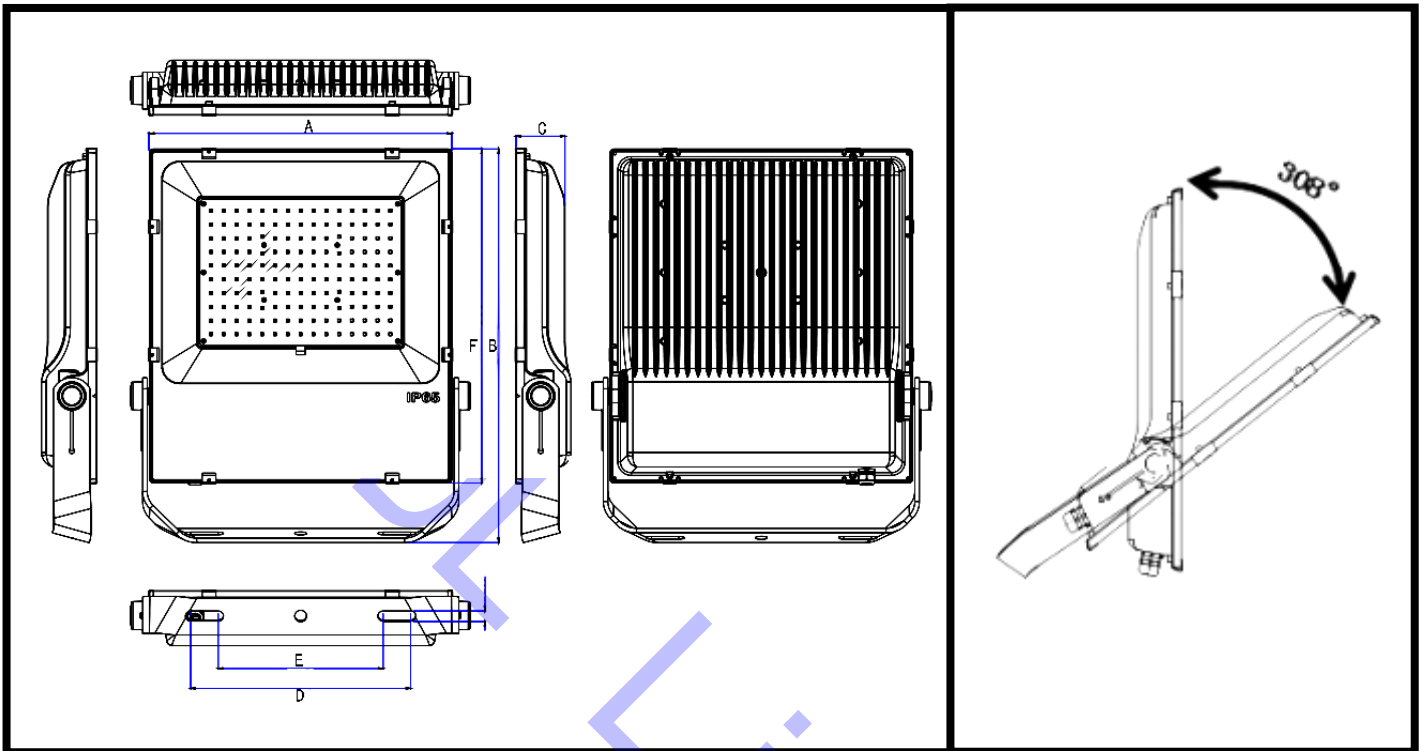
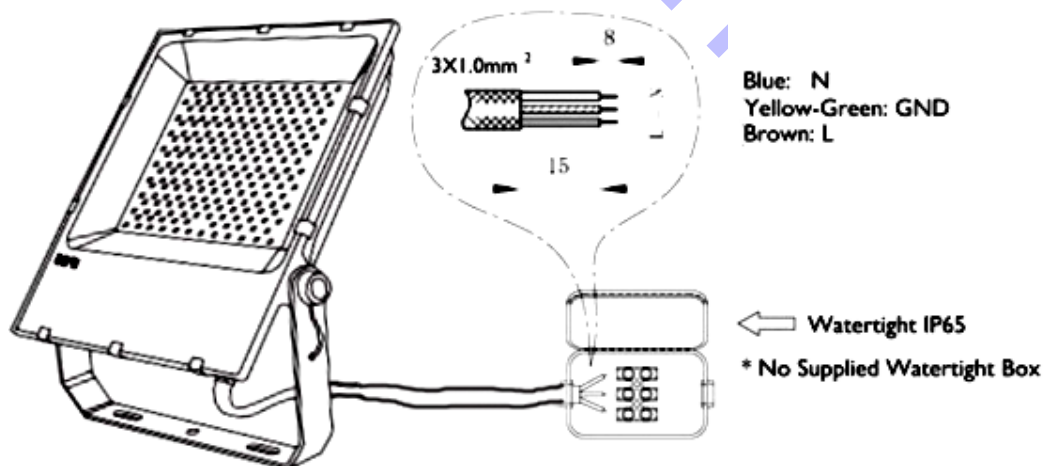


Type	A(mm)	B(mm)	C(mm)	D(mm)	E(mm)	F(mm)	Windage Area(m ²)
150W	330	430	53.5	240	180	365	0.142
200W	360	470	53.5	240	180	400	0.169



1

Connect the power cord



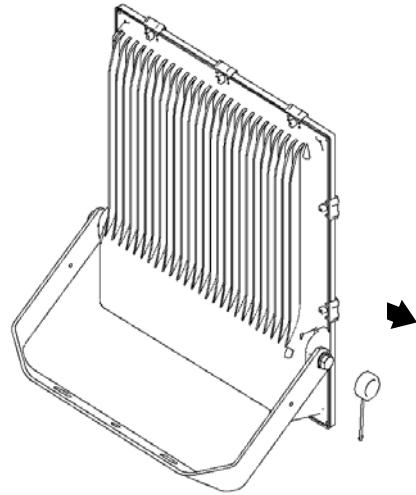
2

Fasten the bolt



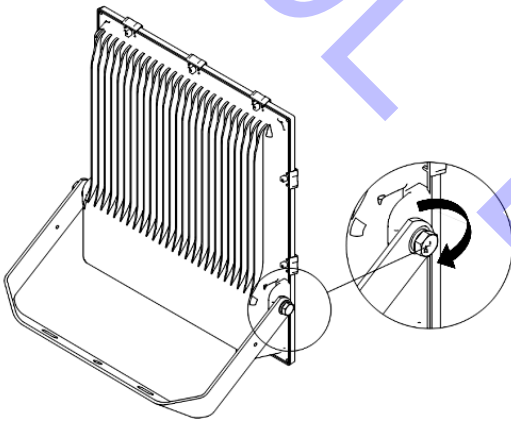
3

Remove the cap



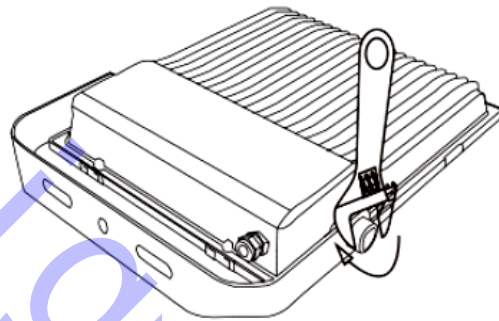
4

Adjust the angle



5

Fasten the bolt



6

Fix the plastic cap on the screw

